



INSTALLATION INSTRUCTIONS FOR ESCORT IX RADAR DETECTOR

NOTE: For illustration purposes, the mount and rear view mirror shown in these instructions may look slightly different than YOUR mount and rear view mirror.



ALUMINUM
THREADED
INSERT



UNSCREW
HERE

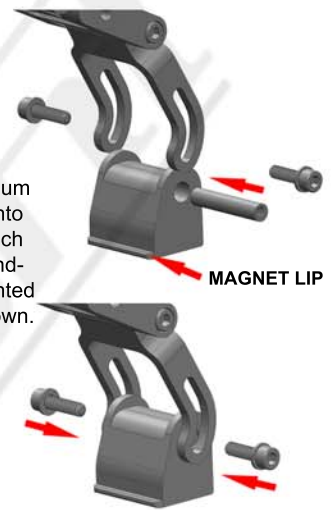


BOLT
MAGNET

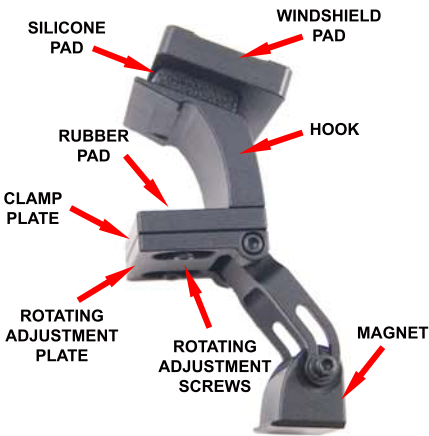
1 - The magnet must be removed from the suction cup mount that the radar detector came with.

2 - Unscrew and remove bolt, only the magnetic piece is used with the blendmount.

3 - Install aluminum threaded insert into magnet, and attach magnet onto blend-mount with lip pointed in direction as shown.



MAGNET LIP



WINDSHIELD
PAD



4 - This photo illustrates how the Hook fits into the recessed area behind the mirror. **This is just a reference photo as you will not be able to see this during installation.**



CLAMP
SCREWS
ROTATING
ADJUSTMENT
SCREWS

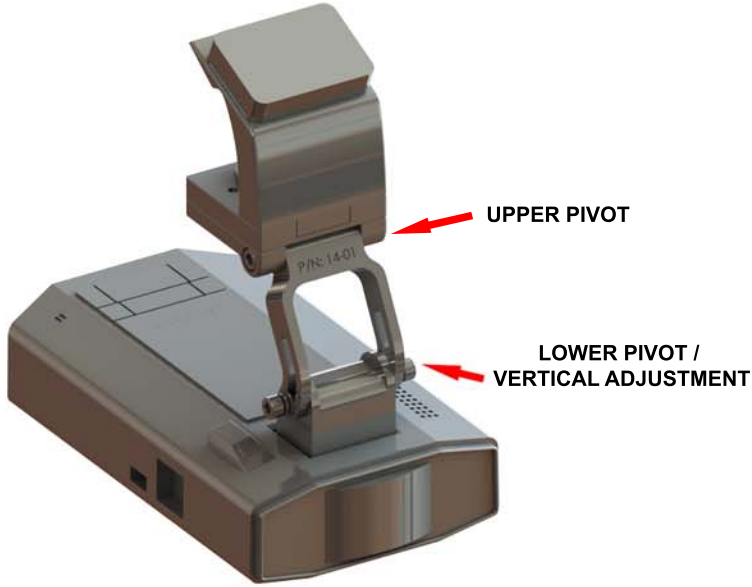
5 - The two rotating adjustment screws can be used to move the rotating adjustment plate left/right horizontally to point the radar detector in a desired direction. The two clamp screws are used to secure the mount onto the mirror as shown next in fig 5.



TIGHTEN CLAMP SCREWS
TO SECURE HOOK
ON MIRROR

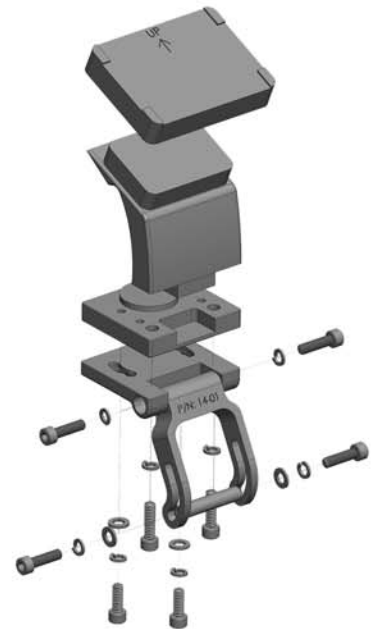
6 - Place the Windshield Pad onto the Silicone Pad. Position the mount as shown above. Compress the Silicone Pad into the Windshield Pad as you slide upwards into the recessed area behind the mirror. You will hear the Hook snap into place when it is positioned correctly. **Tighten both clamp screws to secure hook and mount onto mirror.**





7 - Install the RD onto the mount. Make the necessary adjustments as shown above. Using the upper and lower pivots, and the vertical adjustment, leave enough room below bottom of mirror to allow access to buttons on top of radar detector.

8 - To remove the radar from the magnetic mount, simply tilt the face of the RD up and twist slightly to side, then the magnet will release.



FOR MORE INFO VISIT www.blendmount.com/videos

CAUTION

DO NOT use this mount if it interferes with the adjustability or the operation of your rear view mirror in any way.

DO NOT use this mount if the radar detector creates an unsafe viewing obstruction.

DO NOT ATTEMPT TO MODIFY THIS PRODUCT. Consult the manufacturer for assistance.

All BlendMount products are accompanied with detailed installation instructions and adjustment tips. You are encouraged to contact customerservice@blendmount.com or call J28 Design at 1-888-497-8388 for further assistance.

Check the BlendMount Forum for installation tips and some vehicle specific installs.
www.blendmount.com

Your feedback is very important to us. Please email any questions or comments you have to customerservice@blendmount.com