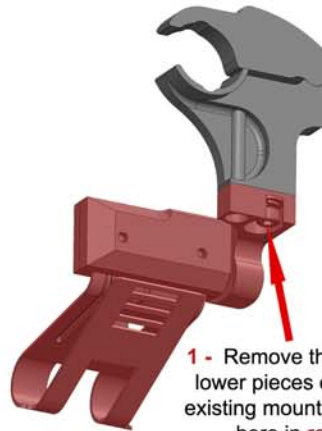




**INSTALLATION INSTRUCTIONS FOR ESCORT IX RADAR DETECTOR UPGRADE KIT**



**ALUMINUM THREADED INSERT**



**1 - Remove the three lower pieces of your existing mount, shown here in red.**



**2 - Install the adapter parts shown here in red.**

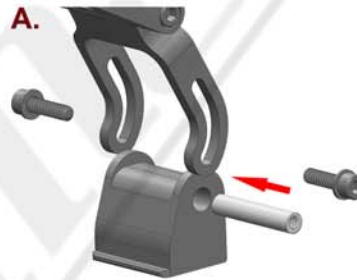


**UNSCREW HERE**

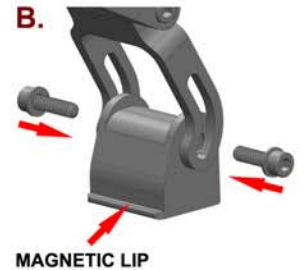
**3 - The magnet must be removed from the suction cup mount that the radar detector came with.**



**4 - Unscrew and remove bolt, only the magnetic piece is used with the blendmount.**



**5 - Install aluminum threaded insert into magnet (fig A.), and attach magnet onto blendmount with lip pointed in direction as shown (fig B.).**



**MAGNETIC LIP**



**PUSH UP ON FACE AND TWIST TO REMOVE**

**VERTICAL ADJUSTMENT**



**MAGNET WILL RELEASE**

**6 - Install the RD onto the mount. Make necessary adjustments using the upper and lower pivots, and the vertical adjustment. Leave enough room below bottom of mirror to allow access to top radar detector buttons. To remove the radar from the magnetic mount, simply tilt the face of the RD up and twist slightly to side, then the magnet will release.**